



FEATURES

Intended Use:	Exteriors
Installation:	Recessed wall/floor
Body/Structure:	Body, frame/ring and formwork made of stainless steel (AISI 316)
Painting:	Transparent protective coating
Finish:	Satin stainless steel
Reflector/Optics:	LED lens in methacrylate
Glass/Screen:	Clear tempered glass
Driver:	Not included; must be ordered separately

TECHNICAL DATA

Beam:	Symmetrical diffusing 40°
Current:	350mA
Insulation class:	3
Weight:	3.2 kg
IP grade:	68
Glow wire:	850 °C
Lamp included:	Yes
LED type:	Power LED
Overall power:	17 W
Color temperature:	RGB

LIGHT SOURCE: 1 x LED RGB 17.00W 550lm

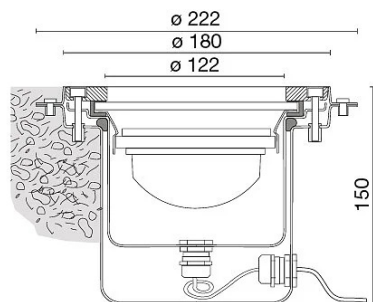


NOTES

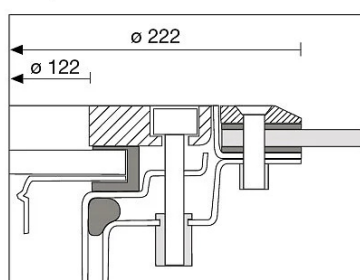
maintenance without emptying the tank. installation depth 3 mt max. not suitable for immersion in sea water.

Maximum nighttime ambient temperature when the fitting is on not exceeding 50°C
 Minimum nighttime ambient temperature when the fitting is on not lower than -20°C
 Maximum daytime ambient temperature when the fitting is off not exceeding 60°C

TECHNICAL DRAWING



Esempio di installazione in vasche con guaina in PVC
Example of installation in tanks with PVC sheath



DRIVER

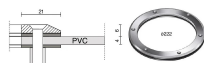
645732

6W to 42W 150/1050mA IP20 ON-OFF Driver



ACCESSORIES

Flange for tanks with PVC sheath



E8262

COMPANY

Side Spa has always been a benchmark in the manufacturing industry for its constant focus on product quality, assembly and sustainability of its items. The company is distinguished by its dedication to offering customers the highest quality products that meet needs and exceed expectations.

Side Spa pays the utmost attention to the quality of its products. Each stage of production undergoes rigorous quality control to ensure that only first-class items reach the market. By using high-quality materials and adopting state-of-the-art manufacturing processes, the company is able to offer products that stand the test of time and maintain their performance over the years. Quality is a top priority for Side Spa, which strives to meet the highest standards of excellence.