

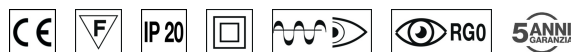


FEATURES

Intended Use:	Interior, SIDESIGN
Installation:	Wall, baseplate version
Body/Structure:	Zamak body and plate
Painting:	Galvanic treatment
Finish:	Black
Reflector/Optics:	Methacrylate led lens
Driver:	Including

TECHNICAL DATA

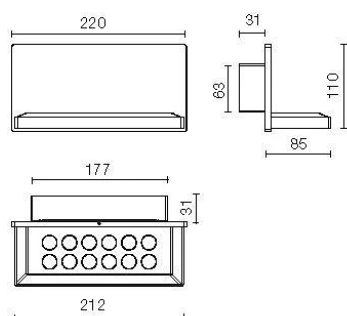
Tension:	220/240v
Beam:	Indirect diffusing 25°
Current:	500mA
Insulation class:	2
Weight:	2.50 kg
IP grade:	IP 20
Lamp included:	Yes
LED type:	led
Overall power:	14.4 W
Appliance flow:	1280 lm
Nominal duration:	50.000 ore L80 B26
Color temperature:	3000 K
Color rendering index:	>90
Color consistency:	3 SDCM



NOTES

equipment: recessed box 5061

TECHNICAL DRAWING



COMPANY

Side Spa has always been a benchmark in the manufacturing industry for its constant focus on product quality, assembly and sustainability of its items. The company is distinguished by its dedication to offering customers the highest quality products that meet needs and exceed expectations.

Side Spa pays the utmost attention to the quality of its products. Each stage of production undergoes rigorous quality control to ensure that only first-class items reach the market. By using high-quality materials and adopting state-of-the-art manufacturing processes, the company is able to offer products that stand the test of time and maintain their performance over the years. Quality is a top priority for Side Spa, which strives to meet the highest standards of excellence.