



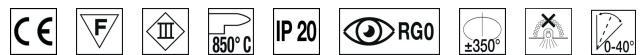
FEATURES

| | |
|-------------------|---|
| Intended Use: | Interior |
| Installation: | Recessed Ceiling |
| Recessed hole: | ø 97 mm |
| Fixing: | Steel springs |
| Body/Structure: | Sheet steel body |
| Painting: | Interior polyester powder coating |
| Finish: | Black |
| Reflector/Optics: | 99.8% pure aluminum reflector - Adjustable optics |
| Driver: | Not included; must be ordered separately |

TECHNICAL DATA

| | |
|------------------------|----------------------------|
| Beam: | Concentric symmetrical 30° |
| Current: | 700mA |
| Insulation class: | 3 |
| Weight: | 1.4 kg |
| Glow wire: | 850 °C |
| Lamp included: | Yes |
| LED type: | COB LED |
| Overall power: | 24 W |
| Appliance flow: | 1915 lm |
| Nominal duration: | 50.000 (h) L90 B10 |
| Color temperature: | 3000 K |
| Color rendering index: | > 90 |
| Color consistency: | 3 SDCM |

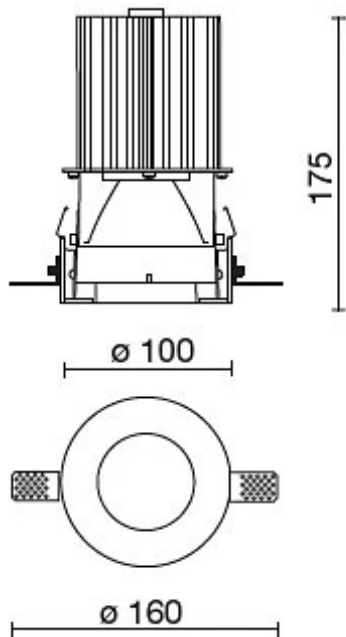
LIGHT SOURCE: 1 x LED 24.00W 3730lm



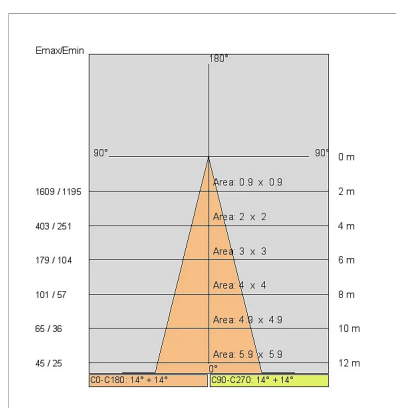
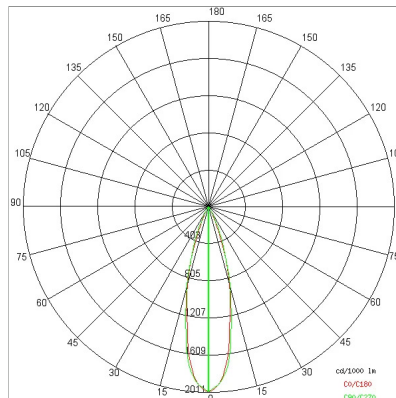
NOTES

On request: IP44 version and led with 2700K COLOR temperature

TECHNICAL DRAWING



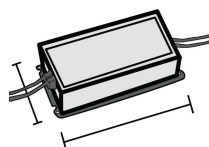
PHOTOMETRIC CURVES



DRIVER

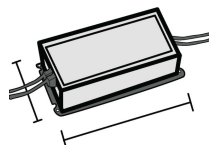
646777

DALI+PUSH DIM driver - 42W IP20- 150mA+1050mA



645688

DRIVER ON-OFF
Driver ON-OFF- 35W IP20- 700mA



ACCESSORIES



EMERGENCY version adding KIT

INV 1052

INV 1052-3

COMPANY

Side Spa has always been a benchmark in the manufacturing industry for its constant focus on product quality, assembly and sustainability of its items. The company is distinguished by its dedication to offering customers the highest quality products that meet needs and exceed expectations.

Side Spa pays the utmost attention to the quality of its products. Each stage of production undergoes rigorous quality control to ensure that only first-class items reach the market. By using high-quality materials and adopting state-of-the-art manufacturing processes, the company is able to offer products that stand the test of time and maintain their performance over the years. Quality is a top priority for Side Spa, which strives to meet the highest standards of excellence.